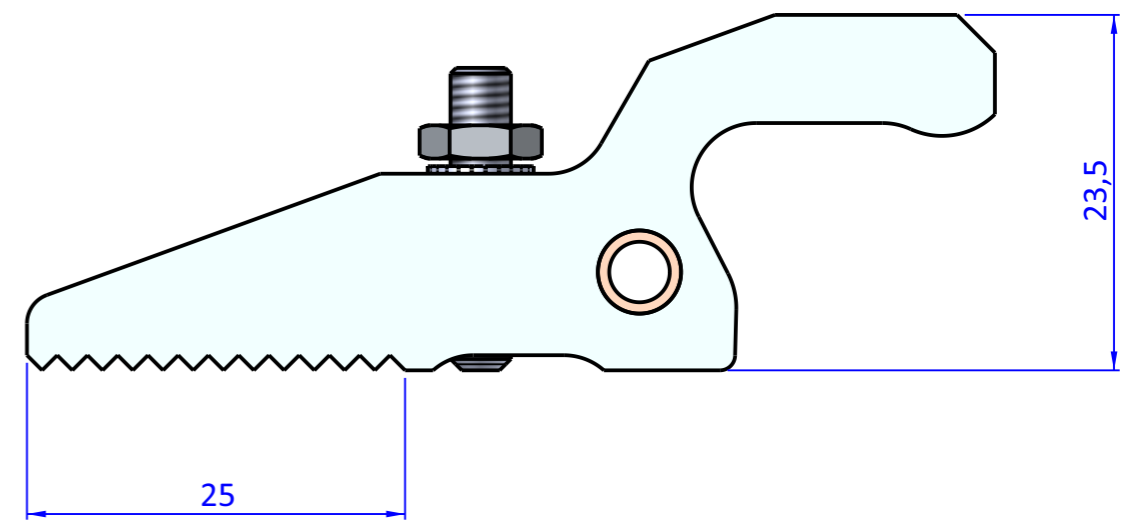
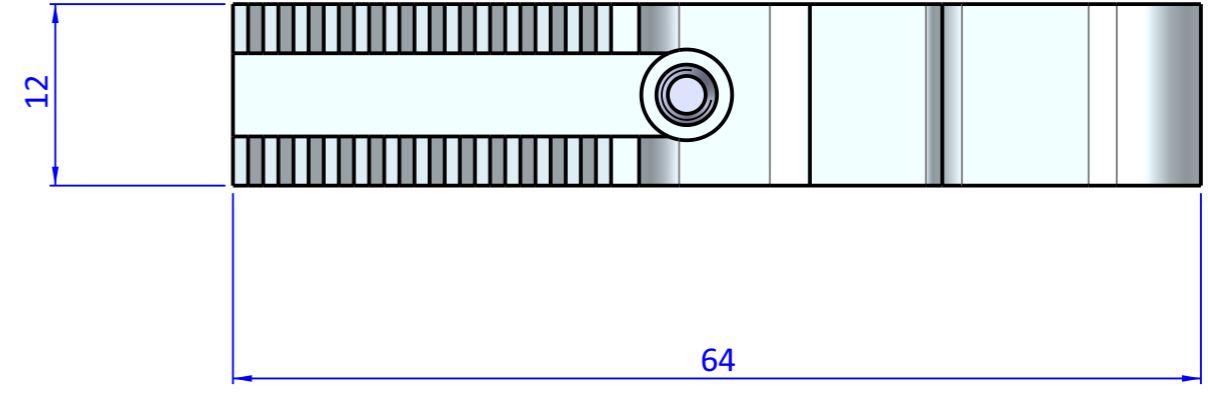
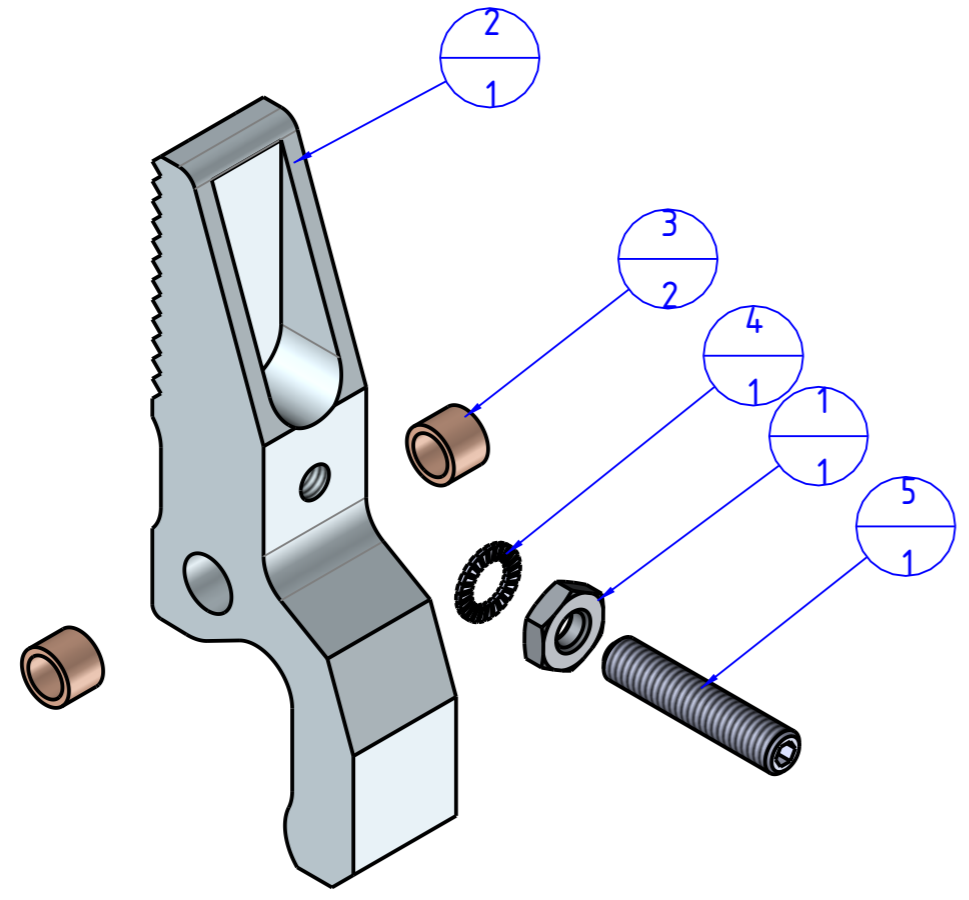



THE PROPERTY OF THE DRAWING IS ESTABLISHED BY LAW. IT IS FORBIDDEN TO PRODUCE OR SHOW IT TO THIRD PART WITHOUT A WRITTEN AGREEMENT.

Item	Name	Qty.
1	D.4	1
2	GTS.1004.12	1
3	PAP.0405504	2
4	R.4.SCH	1
5	V.STM4X20	1



Format A3
UNI 936-76

 FPS FPSERVICES AUTOMATION		DESIGNED FROM FPS Automation		REVIEW A	
		DATE 21/09/2021	WEIGHT 0,055kg		
GENERAL TOLERANCE UNI - ISO 2768 CLASSE f	DESCRIPTION GTS.04.12		CODE GTS.04.12		